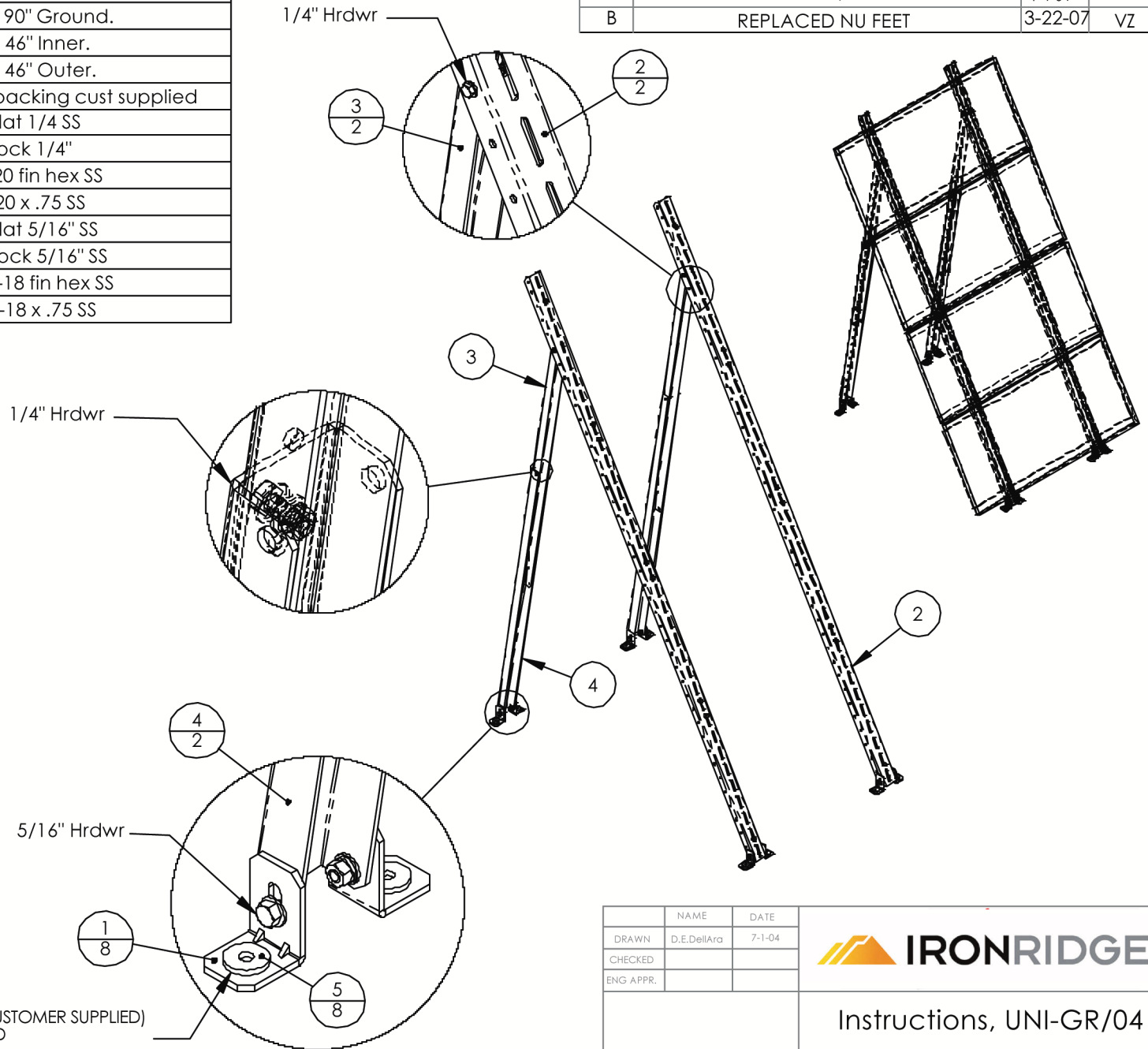


ITEM NO.	QTY.	PART NO.	DESCRIPTION
1	8	51-6000-002	FOOT, GPS ADJUSTABLE
2	2	51-0590-000	Channel, 90" Ground.
3	2	51-0546-000	Channel, 46" Inner.
4	2	51-0546-001	Channel, 46" Outer.
5	8	25-3102-004	Washer, backing cust supplied
7	32	25-2502-000	Washer, flat 1/4 SS
8	24	25-2501-000	Washer, lock 1/4"
9	24	24-2520-440	Nut, 1/4-20 fin hex SS
10	24	23-2520-050	Bolt, 1/4-20 x .75 SS
11	16	25-3102-000	Washer, flat 5/16" SS
12	8	25-3101-000	Washer, lock 5/16" SS
13	8	24-3118-440	Nut, 5/16-18 fin hex SS
14	8	23-3118-021	Bolt, 5/16-18 x .75 SS

REVISIONS			
REV.	DESCRIPTION	DATE	APPROVED
A	Release for production	7-1-04	D.E.Dell'Ara
B	REPLACED NU FEET	3-22-07	VZ



	NAME	DATE
DRAWN	D.E.Dell'Ara	7-1-04
CHECKED		
ENG APPR.		



Instructions, UNI-GR/04

SIZE	DWG. NO.	REV.
A	91-0300-001	B

SCALE:1:1 SHEET 1 OF 1

PROPRIETARY AND CONFIDENTIAL

THE INFORMATION CONTAINED IN THIS DRAWING IS THE SOLE PROPERTY OF IRONRIDGE. ANY REPRODUCTION IN PART OR AS A WHOLE WITHOUT THE WRITTEN PERMISSION OF IRONRIDGE IS PROHIBITED.

DO NOT SCALE DRAWING