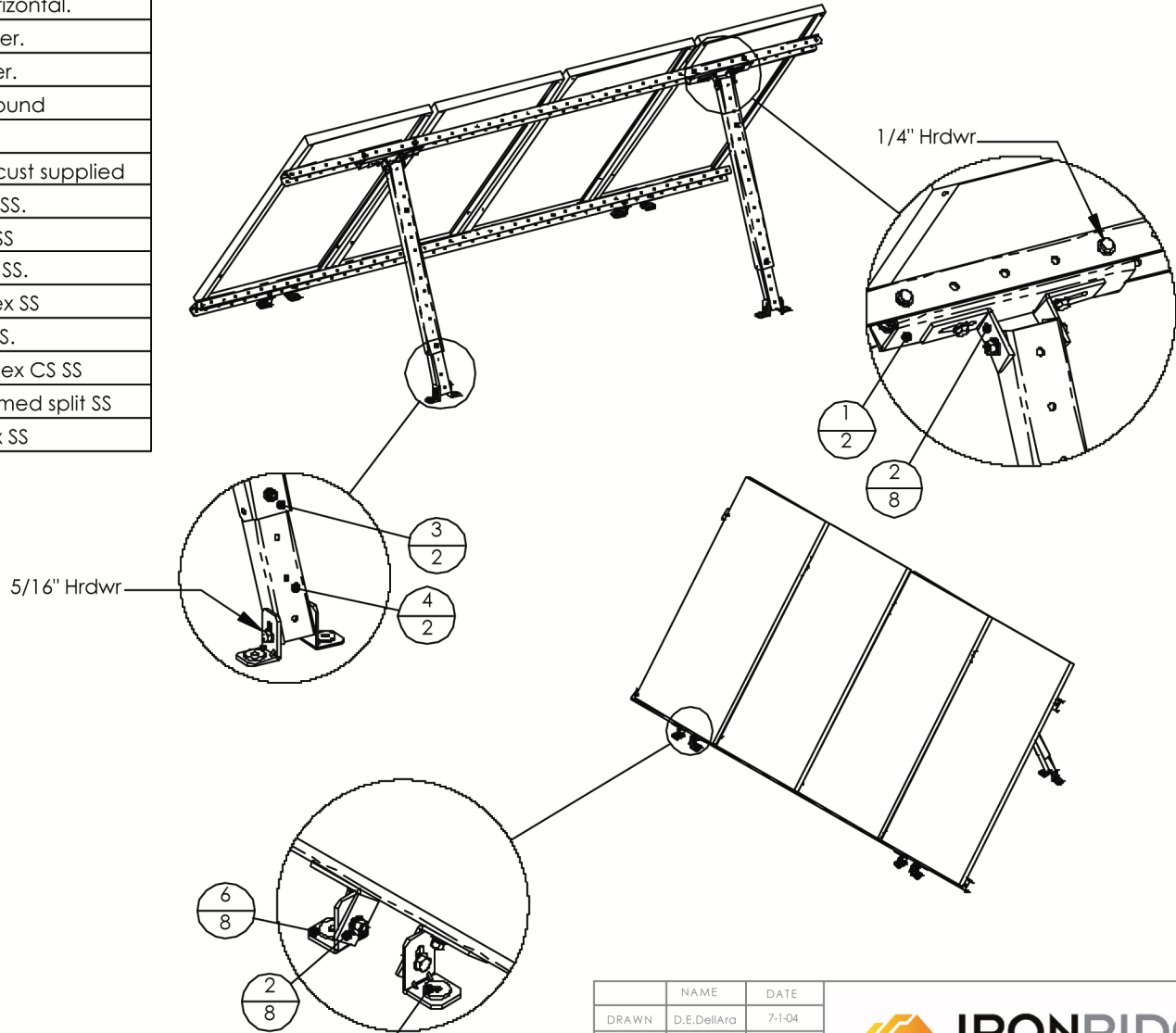


REVISIONS			
REV.	DESCRIPTION	DATE	APPROVED
A	Release for production	7-1-04	D.E.Dell'Ara

ITEM NO	QTY	PART NO.	DESCRIPTION
1	2	51-0627-031	Adapter, Vert - Horiz.
2	8	51-0627-038	Clip, single 160 horizontal.
3	2	51-0528-001	Channel, 28in Outer.
4	2	51-0528-000	Channel, 28in Inner.
5	2	51-0590-000	Channel, 90.0" Ground
6	8	51-6000-002	Foot, GPS.
7	8	25-3102-004	Washer, backing cust supplied
8	16	25-3102-000	Washer, flat 5/16" SS.
9	8	23-3118-021	Bolt, 5/16-18 x .75 SS
10	8	25-3101-000	Washer, lock 5/16 SS.
11	8	24-3118-440	Nut, 5/16-18 Fin Hex SS
12	64	25-2502-000	Washer, flat 1/4" SS.
13	40	23-2520-050	Bolt, 1/4-20 x 3/4 Hex CS SS
14	40	25-2501-000	Washer, lock 1/4" med split SS
15	40	24-2520-440	Nut, 1/4-20 Fin Hex SS



NOTE: MUST INSTALL BACKING WASHER (CUSTOMER SUPPLIED) PRIOR TO ATTACHMENT TO ROOF/GROUND.

	NAME	DATE
DRAWN	D.E.Dell'Ara	7-1-04
CHECKED		
ENG APPR.		



Instructions, UNI-GR-04H
Low Profile

SIZE A	DWG. NO. 91-0400-004	REV. A
SCALE: 1:1		SHEET 1 OF 2

PROPRIETARY AND CONFIDENTIAL

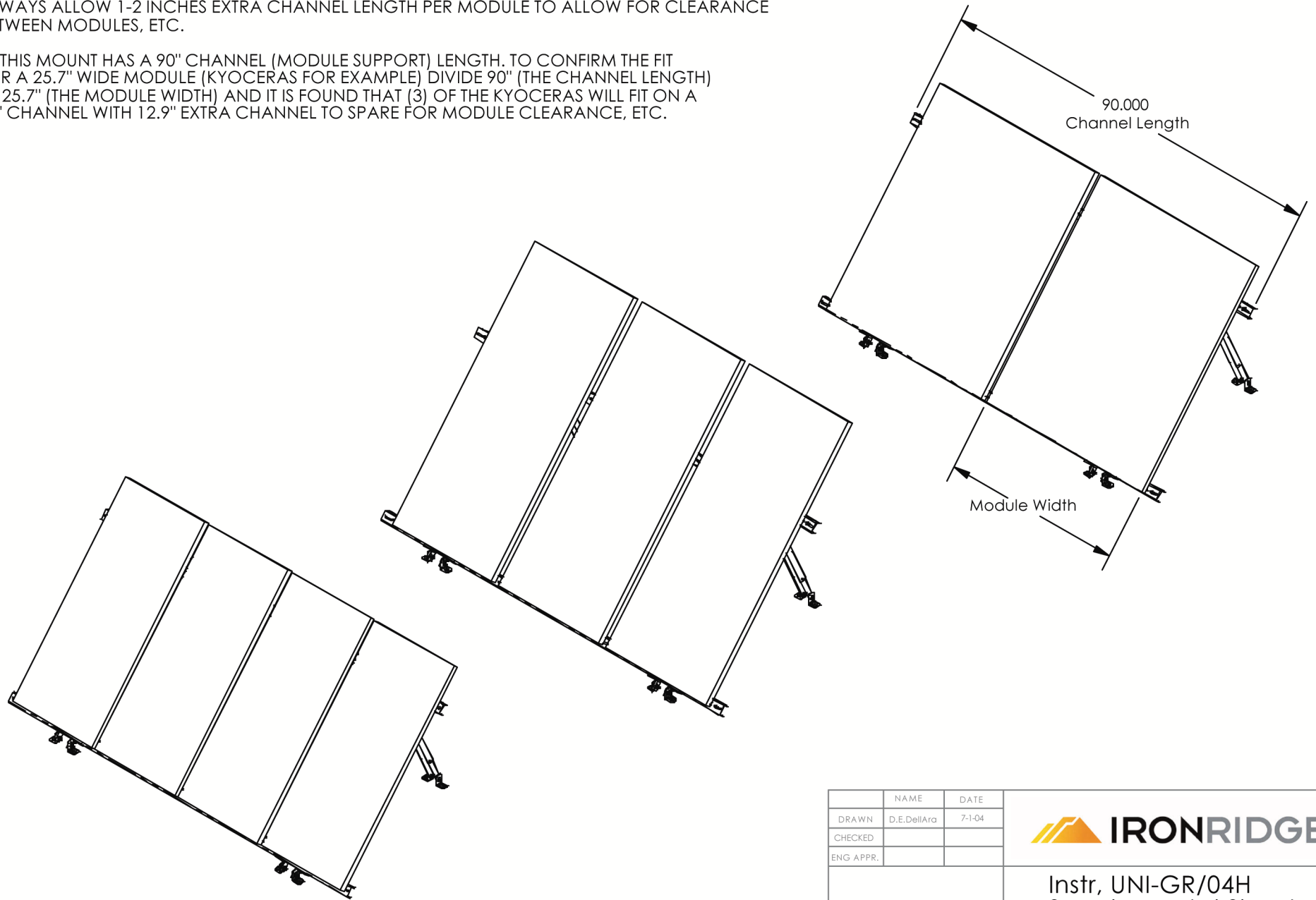
THE INFORMATION CONTAINED IN THIS DRAWING IS THE SOLE PROPERTY OF IRONRIDGE. ANY REPRODUCTION IN PART OR AS A WHOLE WITHOUT THE WRITTEN PERMISSION OF IRONRIDGE IS PROHIBITED.

DO NOT SCALE DRAWING

NOTE: OUR MOUNTS CAN HOLD A VARIETY OF DIFFERENT MODULE CONFIGURATIONS AS INDICATED ON THIS PAGE.
 TO VERIFY FIT, DIVIDE THE CHANNEL (MODULE SUPPORT) LENGTH BY THE MODULE WIDTH.
 ALWAYS ALLOW 1-2 INCHES EXTRA CHANNEL LENGTH PER MODULE TO ALLOW FOR CLEARANCE BETWEEN MODULES, ETC.

IE: THIS MOUNT HAS A 90" CHANNEL (MODULE SUPPORT) LENGTH. TO CONFIRM THE FIT FOR A 25.7" WIDE MODULE (KYOCERAS FOR EXAMPLE) DIVIDE 90" (THE CHANNEL LENGTH) BY 25.7" (THE MODULE WIDTH) AND IT IS FOUND THAT (3) OF THE KYOCERAS WILL FIT ON A 90" CHANNEL WITH 12.9" EXTRA CHANNEL TO SPARE FOR MODULE CLEARANCE, ETC.

REVISIONS			
REV.	DESCRIPTION	DATE	APPROVED
-	Release for Reference	6-21-06	D.E.Dell'Ara



	NAME	DATE
DRAWN	D.E.Dell'Ara	7-1-04
CHECKED		
ENG APPR.		



Instr, UNI-GR/04H
 Supplemental Sheet

SIZE A	DWG. NO. 91-0400-004	REV. -
------------------	--------------------------------	------------------

SCALE: 1:1	SHEET 2 OF 2
------------	--------------

PROPRIETARY AND CONFIDENTIAL

THE INFORMATION CONTAINED IN THIS DRAWING IS THE SOLE PROPERTY OF IRONRIDGE.
 ANY REPRODUCTION IN PART OR AS A WHOLE WITHOUT THE WRITTEN PERMISSION OF IRONRIDGE IS PROHIBITED.

DO NOT SCALE DRAWING