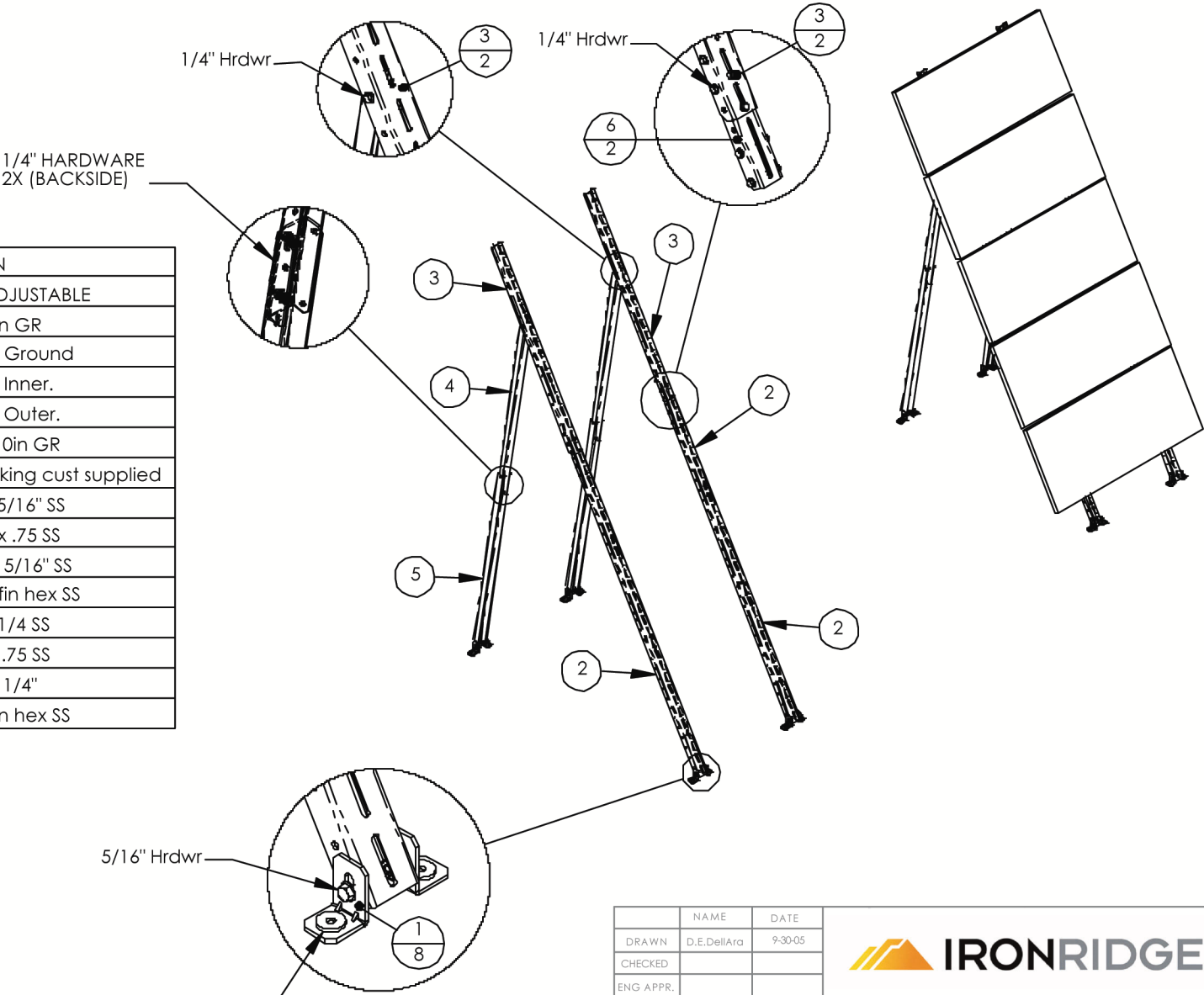


REVISIONS			
REV.	DESCRIPTION	DATE	APPROVED
A	Release for Reference	9-30-05	D.E.Dell'Ara
B	REPLACED NU FEET	3-21-07	VZ



ITEM NO	QTY	PART NO.	DESCRIPTION
1	8	51-6000-002	FOOT,GPS ADJUSTABLE
2	2	51-0570-000	Channel, 70in GR
3	2	51-0545-001	Channel, 45" Ground
4	2	51-0546-000	Channel, 46" Inner.
5	2	51-0546-001	Channel, 46" Outer.
6	2	51-0627-003	Connector, 10in GR
7	8	25-3102-004	Washer, backing cust supplied
8	16	25-3102-000	Washer, flat 5/16" SS
9	8	23-3118-021	Bolt, 5/16-18 x .75 SS
10	8	25-3101-000	Washer, lock 5/16" SS
11	8	24-3118-440	Nut, 5/16-18 fin hex SS
12	68	25-2502-000	Washer, flat 1/4 SS
13	44	23-2520-050	Bolt, 1/4-20 x .75 SS
14	44	25-2501-000	Washer, lock 1/4"
15	44	24-2520-440	Nut, 1/4-20 fin hex SS

NOTE: MUST INSTALL BACKING WASHER (CUSTOMER SUPPLIED) PRIOR TO ATTACHMENT TO ROOF\GROUND

	NAME	DATE
DRAWN	D.E.Dell'Ara	9-30-05
CHECKED		
ENG APPR.		



Instructions, UNI-GR/05

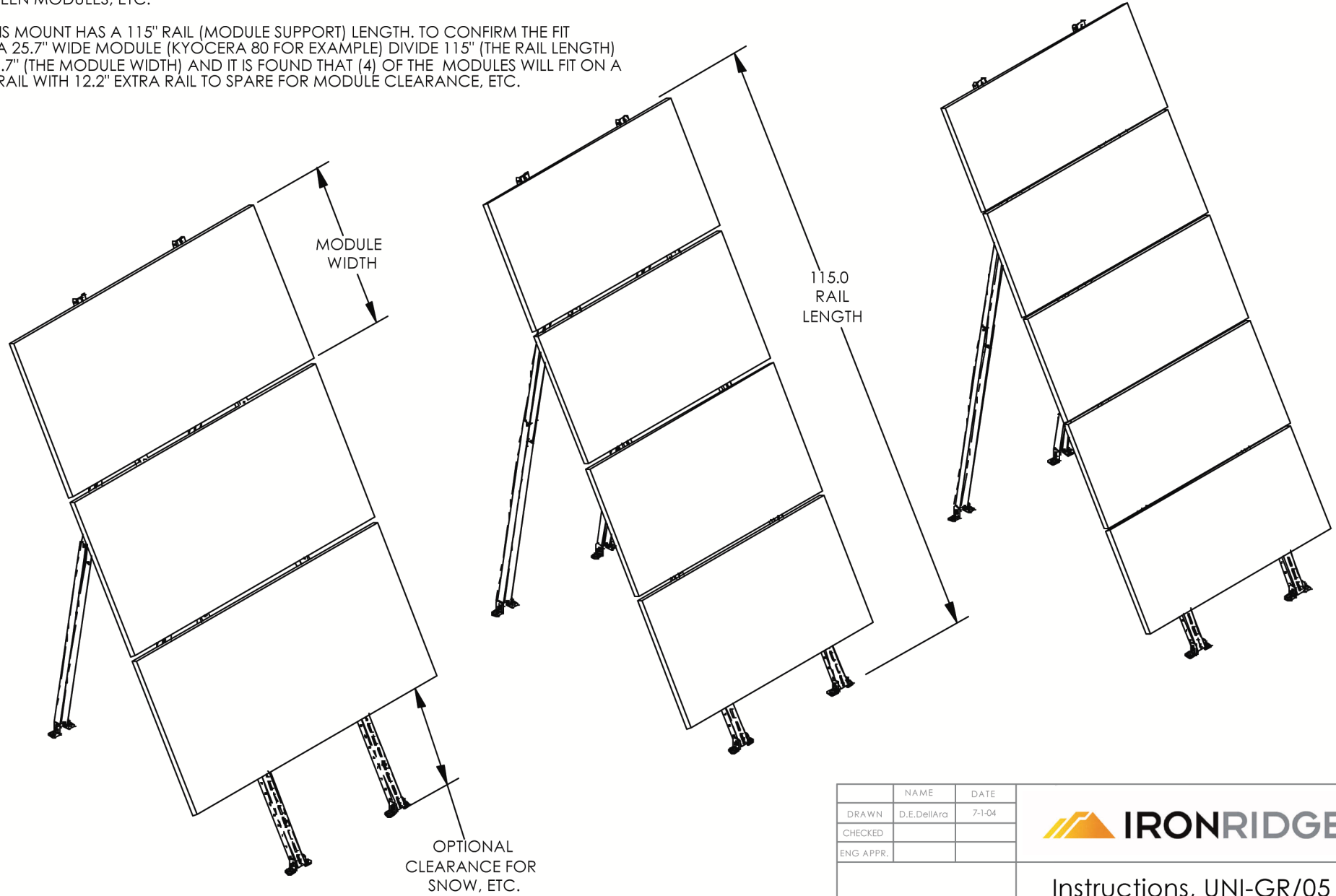
SIZE A	DWG. NO. 91-0300-008	REV. B
SCALE: 1:8		SHEET 1 OF 2

PROPRIETARY AND CONFIDENTIAL
 THE INFORMATION CONTAINED IN THIS DRAWING IS THE SOLE PROPERTY OF IRONRIDGE.
 ANY REPRODUCTION IN PART OR AS A WHOLE WITHOUT THE WRITTEN PERMISSION OF IRONRIDGE IS PROHIBITED.

DO NOT SCALE DRAWING

NOTE: OUR MOUNTS CAN HOLD A VARIETY OF DIFFERENT MODULE CONFIGURATIONS AS INDICATED ON THIS PAGE. TO VERIFY FIT, DIVIDE THE RAIL (MODULE SUPPORT) LENGTH BY THE MODULE WIDTH. ALWAYS ALLOW 1-2 INCHES EXTRA RAIL LENGTH PER MODULE TO ALLOW FOR CLEARANCE BETWEEN MODULES, ETC.

IE: THIS MOUNT HAS A 115" RAIL (MODULE SUPPORT) LENGTH. TO CONFIRM THE FIT FOR A 25.7" WIDE MODULE (KYOCERA 80 FOR EXAMPLE) DIVIDE 115" (THE RAIL LENGTH) BY 25.7" (THE MODULE WIDTH) AND IT IS FOUND THAT (4) OF THE MODULES WILL FIT ON A 115" RAIL WITH 12.2" EXTRA RAIL TO SPARE FOR MODULE CLEARANCE, ETC.



REVISIONS			
REV.	DESCRIPTION	DATE	APPROVED
A	Release for production	7-1-04	D.E.Dell'Ara

	NAME	DATE
DRAWN	D.E.Dell'Ara	7-1-04
CHECKED		
ENG APPR.		



Instructions, UNI-GR/05

SIZE A	DWG. NO. 91-0300-008	REV. A
------------------	--------------------------------	------------------

SCALE: 1:8

SHEET 2 OF 2

PROPRIETARY AND CONFIDENTIAL

THE INFORMATION CONTAINED IN THIS DRAWING IS THE SOLE PROPERTY OF IRONRIDGE. ANY REPRODUCTION IN PART OR AS A WHOLE WITHOUT THE WRITTEN PERMISSION OF IRONRIDGE IS PROHIBITED.

DO NOT SCALE DRAWING