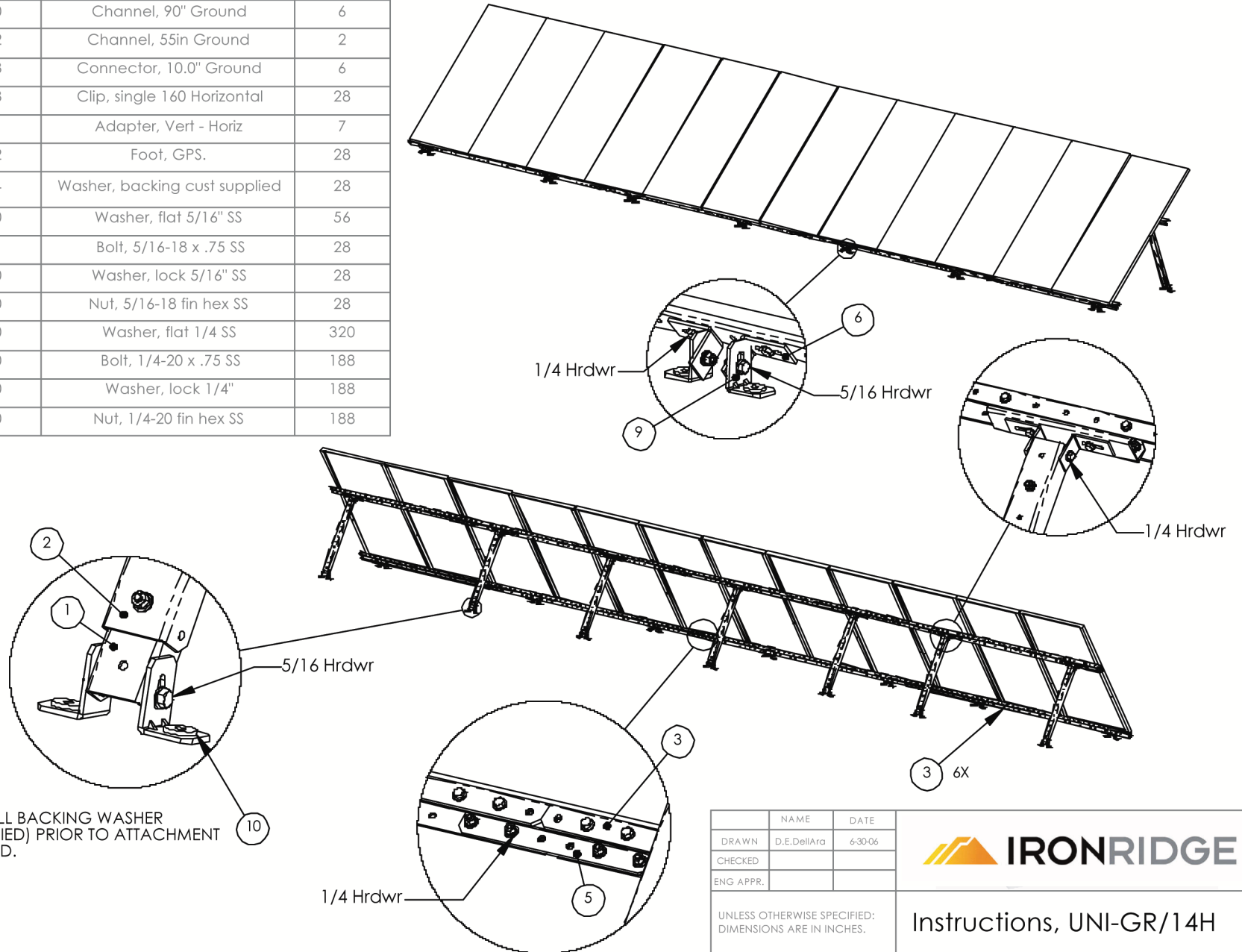


ITEM NO.	PART NUMBER	DESCRIPTION	QTY.
1	51-0528-000	Channel, 28in Inner.	7
2	51-0528-001	Channel, 28in Outer.	7
3	51-0590-000	Channel, 90" Ground	6
4	51-0555-002	Channel, 55in Ground	2
5	51-0627-003	Connector, 10.0" Ground	6
6	51-0627-038	Clip, single 160 Horizontal	28
7	51-0627-031	Adapter, Vert - Horiz	7
9	51-6000-002	Foot, GPS.	28
10	25-3102-004	Washer, backing cust supplied	28
11	25-3102-000	Washer, flat 5/16" SS	56
12	23-3118-021	Bolt, 5/16-18 x .75 SS	28
13	25-3101-000	Washer, lock 5/16" SS	28
14	24-3118-440	Nut, 5/16-18 fin hex SS	28
15	25-2502-000	Washer, flat 1/4 SS	320
16	23-2520-050	Bolt, 1/4-20 x .75 SS	188
17	25-2501-000	Washer, lock 1/4"	188
18	24-2520-440	Nut, 1/4-20 fin hex SS	188

REVISIONS			
REV.	DESCRIPTION	DATE	APPROVED
A	Release for Reference	6-30-06	D.E.Dell'Ara
B	Changed Feet in BOM.	10-09-07	D.E.Dell'Ara



NOTE: MUST INSTALL BACKING WASHER (CUSTOMER SUPPLIED) PRIOR TO ATTACHMENT TO ROOF/GROUND.

	NAME	DATE
DRAWN	D.E.Dell'Ara	6-30-06
CHECKED		
ENG APPR.		

 **IRONRIDGE**

UNLESS OTHERWISE SPECIFIED:
DIMENSIONS ARE IN INCHES.

Instructions, UNI-GR/14H

TOLERANCES:
ANGLES: +/- 1.5°
TWO PLACE DECIMAL: +/- .030
THREE PLACE DECIMAL: +/- .015

SIZE	DWG. NO.	REV.
A	91-0400-014	B

SCALE: 1:8

SHEET 1 OF 2

PROPRIETARY AND CONFIDENTIAL

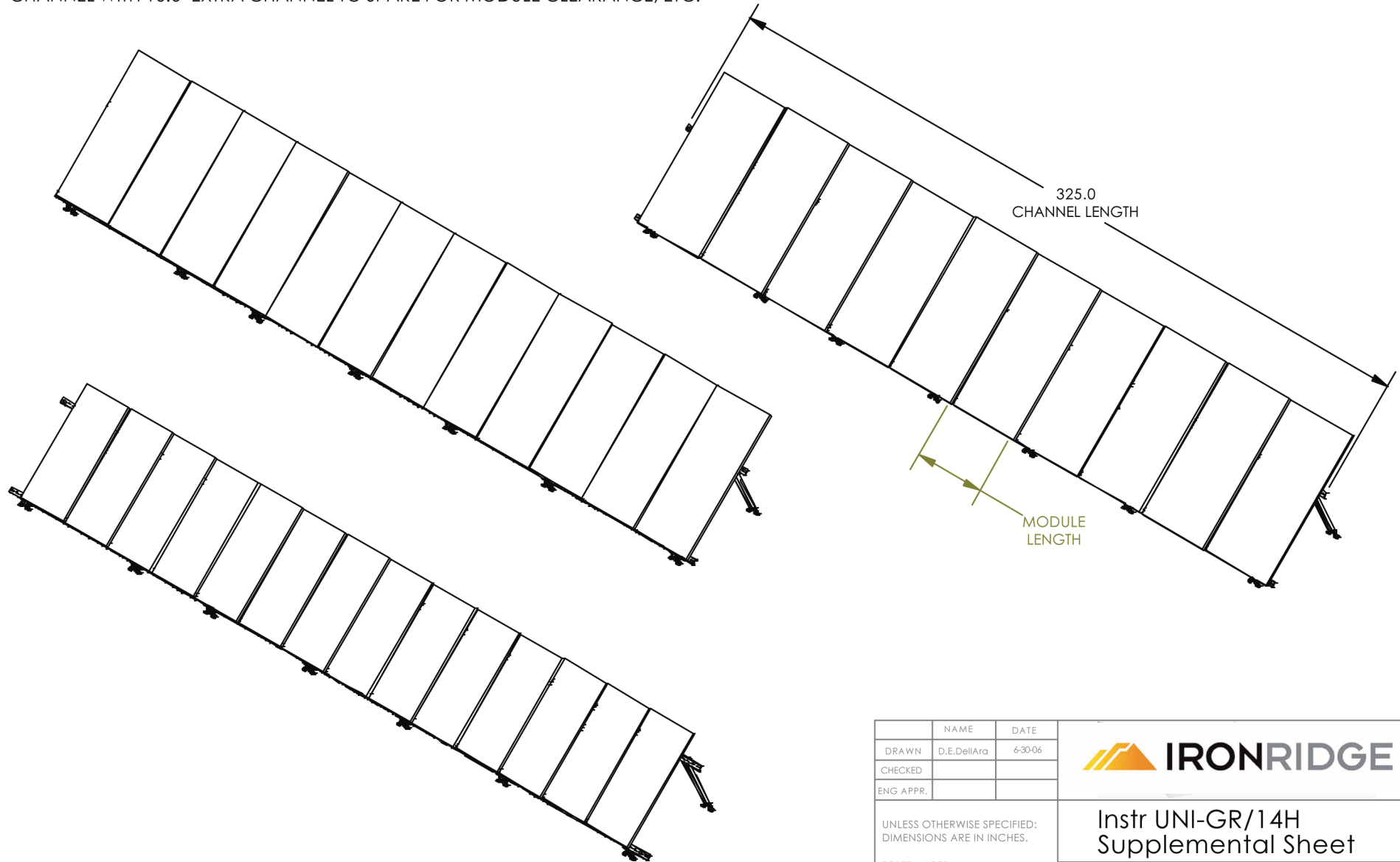
THE INFORMATION CONTAINED IN THIS DRAWING IS THE SOLE PROPERTY OF IRONRIDGE.
ANY REPRODUCTION IN PART OR AS A WHOLE WITHOUT THE WRITTEN PERMISSION OF IRONRIDGE IS PROHIBITED.

DO NOT SCALE DRAWING

NOTE: OUR MOUNTS CAN HOLD A VARIETY OF DIFFERENT MODULE CONFIGURATIONS AS INDICATED ON THIS PAGE.
 TO VERIFY FIT, DIVIDE THE CHANNEL (MODULE SUPPORT) LENGTH BY THE MODULE WIDTH.
 ALWAYS ALLOW 1-2 INCHES EXTRA CHANNEL LENGTH PER MODULE TO ALLOW FOR CLEARANCE BETWEEN MODULES, ETC.

IE: THIS MOUNT HAS A 325" CHANNEL (MODULE SUPPORT) LENGTH. TO CONFIRM THE FIT FOR A 25.7" WIDE MODULE (KYOCERAS FOR EXAMPLE) DIVIDE 325" (THE CHANNEL LENGTH) BY 25.7" (THE MODULE WIDTH) AND IT IS FOUND THAT (12) OF THE KYOCERAS WILL FIT ON A 325" CHANNEL WITH 16.6" EXTRA CHANNEL TO SPARE FOR MODULE CLEARANCE, ETC.

REVISIONS			
REV.	DESCRIPTION	DATE	APPROVED
A	Release for production	6-30-06	D.E.Dell'Ara
B	Changed feet in BOM.	10-09-07	D.E.Dell'Ara



	NAME	DATE
DRAWN	D.E.Dell'Ara	6-30-06
CHECKED		
ENG APPR.		



UNLESS OTHERWISE SPECIFIED:
 DIMENSIONS ARE IN INCHES.

TOLERANCES:
 ANGLES: +/- 1.5°
 TWO PLACE DECIMAL: +/- .030
 THREE PLACE DECIMAL: +/- .015

**Instr UNI-GR/14H
 Supplemental Sheet**

SIZE A	DWG. NO. 91-0400-014	REV. B
------------------	--------------------------------	------------------

SCALE: 1:8

SHEET 2 OF 2

PROPRIETARY AND CONFIDENTIAL

THE INFORMATION CONTAINED IN THIS DRAWING IS THE SOLE PROPERTY OF IRONRIDGE.
 ANY REPRODUCTION IN PART OR AS A WHOLE WITHOUT THE WRITTEN PERMISSION OF IRONRIDGE IS PROHIBITED.

DO NOT SCALE DRAWING